



(12) **United States Design Patent**  
**Wright**

(10) **Patent No.:** **US D825,535 S**  
(45) **Date of Patent:** **\*\* Aug. 14, 2018**

(54) **WALL LOUDSPEAKER MOUNTING SYSTEM**

*Primary Examiner* — Paula Allen Greene

(71) Applicant: **Doug Wright**, Coeur d’Alene, ID (US)

(74) *Attorney, Agent, or Firm* — Apogee Law Group P.C.

(72) Inventor: **Doug Wright**, Coeur d’Alene, ID (US)

(\*\*) Term: **15 Years**

(57) **CLAIM**

(21) Appl. No.: **29/555,774**

The ornamental design for wall loudspeaker mounting system, as shown and described.

(22) Filed: **Feb. 24, 2016**

(51) **LOC (11) Cl.** ..... **14-01**

(52) **U.S. Cl.**  
USPC ..... **D14/224; D14/209**

(58) **Field of Classification Search**  
USPC ..... D14/224, 244.1, 221, 209.1, 211, 204, D14/210, 216, 451, 452, 251, 217, 209; D8/354, 363, 373; 181/144, 145, 153, 181/156, 146, 150–152, 157, 198, 199; 381/300–303, 306, 332, 333, 336, 397; D6/524, 574; 248/284.1, 283.1, 278.1  
CPC ... H04R 1/02; H04R 1/26; H04R 1/28; H04R 17/02; H04R 9/08; H05K 5/00; H05K 5/02; A47F 5/00; A47F 5/12; F21V 21/00  
See application file for complete search history.

**DESCRIPTION**

FIG. 1 is a front bottom perspective view of a loudspeaker mounted on an on-wall speaker mounting system.  
FIG. 2 is a rear top perspective view of the on-wall speaker mounting system.  
FIG. 3 is a front right side perspective view of the on-wall speaker mounting system.  
FIG. 4 is a rear right side perspective view of the on-wall speaker mounting system.  
FIG. 5 is a right side elevation view of the on-wall speaker mounting system.  
FIG. 6 is a left side elevation view of the on-wall speaker mounting system.  
FIG. 7 is a bottom elevation view of the on-wall speaker mounting system.  
FIG. 8 is top elevation view of the on-wall speaker mounting system.  
FIG. 9 is a front elevation view of the on-wall speaker mounting system.  
FIG. 10 is a rear elevation view of the on-wall speaker mounting system; and,  
FIG. 11 is a front top perspective view of the wall loudspeaker mounting system with the shell of the wall fastening portion removed to view the internal structure shown in broken lines that form no part of the claimed design.  
The broken line depict environments that forms no part of the claimed design.

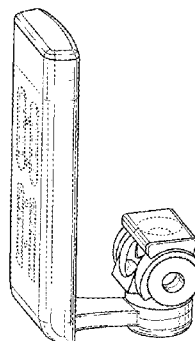
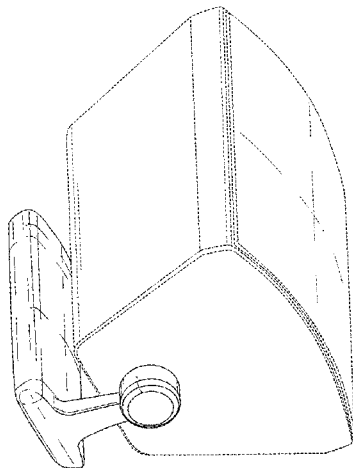
(56) **References Cited**

U.S. PATENT DOCUMENTS

D34,084 S \* 2/1901 Griggs ..... D14/251  
1,897,400 A \* 2/1933 Scofield ..... B60R 11/0205  
248/291.1  
2,278,356 A \* 3/1942 Livingston ..... H01R 35/02  
248/278.1  
D172,523 S \* 6/1954 Stone ..... D26/138  
2,862,328 A \* 12/1958 Wadsworth ..... A47B 23/02  
108/44  
3,124,181 A \* 3/1964 Clemans ..... B27B 27/04  
269/150  
3,324,254 A \* 6/1967 Shaw ..... H04R 1/08  
248/121  
3,362,671 A \* 1/1968 Johnson ..... G03B 21/58  
211/115

(Continued)

**1 Claim, 6 Drawing Sheets**



(56)

References Cited

U.S. PATENT DOCUMENTS

|           |     |         |            |       |              |              |      |         |         |       |              |
|-----------|-----|---------|------------|-------|--------------|--------------|------|---------|---------|-------|--------------|
| 4,185,801 | A * | 1/1980  | Plymoth    | ..... | B25H 1/0021  | 5,967,479    | A *  | 10/1999 | Sweere  | ..... | A47B 21/00   |
|           |     |         |            |       | 248/282.1    |              |      |         |         |       | 248/280.11   |
| 4,234,150 | A * | 11/1980 | Mee        | ..... | B25J 9/1065  | 6,367,756    | B1 * | 4/2002  | Wang    | ..... | F16M 11/10   |
|           |     |         |            |       | 248/281.11   |              |      |         |         |       | 248/276.1    |
| D268,494  | S * | 4/1983  | Cyrell     | ..... | D14/224      | 6,644,614    | B1 * | 11/2003 | Chen    | ..... | F16M 13/022  |
| 4,475,226 | A * | 10/1984 | Greenberg  | ..... | F21V 33/0056 |              |      |         |         |       | 248/229.1    |
|           |     |         |            |       | 362/370      | D488,163     | S *  | 4/2004  | Hunt    | ..... | D14/452      |
| 4,695,024 | A * | 9/1987  | Haven      | ..... | A61B 6/447   | D488,708     | S *  | 4/2004  | Lam     | ..... | D8/363       |
|           |     |         |            |       | 248/280.11   | D495,714     | S *  | 9/2004  | Pfister | ..... | D14/451      |
| 4,768,744 | A * | 9/1988  | Leeds      | ..... | F16M 11/14   | D496,367     | S *  | 9/2004  | Pfister | ..... | D14/451      |
|           |     |         |            |       | 248/280.11   | D507,477     | S *  | 7/2005  | Pfister | ..... | D14/451      |
| 4,872,630 | A * | 10/1989 | Cooper     | ..... | B60R 11/00   | D512,047     | S *  | 11/2005 | Wright  | ..... | D14/215      |
|           |     |         |            |       | 248/278.1    | D547,747     | S *  | 7/2007  | Allen   | ..... | D14/211      |
| D311,829  | S * | 11/1990 | Vossoughi  | ..... | D6/513       | 7,593,536    | B2 * | 9/2009  | Sung    | ..... | G03B 31/00   |
| 5,123,621 | A * | 6/1992  | Gates      | ..... | F16M 11/2014 |              |      |         |         |       | 381/312      |
|           |     |         |            |       | 248/184.1    | D605,632     | S *  | 12/2009 | Wathen  | ..... | D14/216      |
| 5,180,129 | A * | 1/1993  | Yamaoka    | ..... | B60G 13/006  | D619,123     | S *  | 7/2010  | Lau     | ..... | D14/224      |
|           |     |         |            |       | 248/230.1    | 7,841,567    | B2 * | 11/2010 | Wang    | ..... | F16M 11/2092 |
| 5,201,896 | A * | 4/1993  | Kruszewski | ..... | F16M 11/10   |              |      |         |         |       | 248/136      |
|           |     |         |            |       | 248/278.1    | D715,310     | S *  | 10/2014 | Stifal  | ..... | D14/451      |
| D342,173  | S * | 12/1993 | Kirchner   | ..... | D14/452      | D716,766     | S *  | 11/2014 | Lee     | ..... | D14/211      |
| D347,841  | S * | 6/1994  | Rossmann   | ..... | D14/452      | D744,321     | S *  | 12/2015 | Boynton | ..... | D8/363       |
| D349,640  | S * | 8/1994  | Whitaker   | ..... | D6/574       | 9,906,847    | B2 * | 2/2018  | Wright  | ..... | H04R 1/02    |
| D356,568  | S * | 3/1995  | Ichikawa   | ..... | D14/209      | 2002/0154789 | A1 * | 10/2002 | Rodgers | ..... | F16M 11/041  |
| D363,492  | S * | 10/1995 | Brussing   | ..... | D14/251      |              |      |         |         |       | 381/363      |
| D400,085  | S * | 10/1998 | Haskin     | ..... | D8/363       | 2002/0168079 | A1 * | 11/2002 | Kuerti  | ..... | H04R 3/002   |
| D406,228  | S * | 3/1999  | Vogels     | ..... | D14/452      |              |      |         |         |       | 381/361      |
|           |     |         |            |       |              | 2010/0254559 | A1 * | 10/2010 | Heil    | ..... | H04R 1/08    |
|           |     |         |            |       |              |              |      |         |         |       | 381/361      |

\* cited by examiner

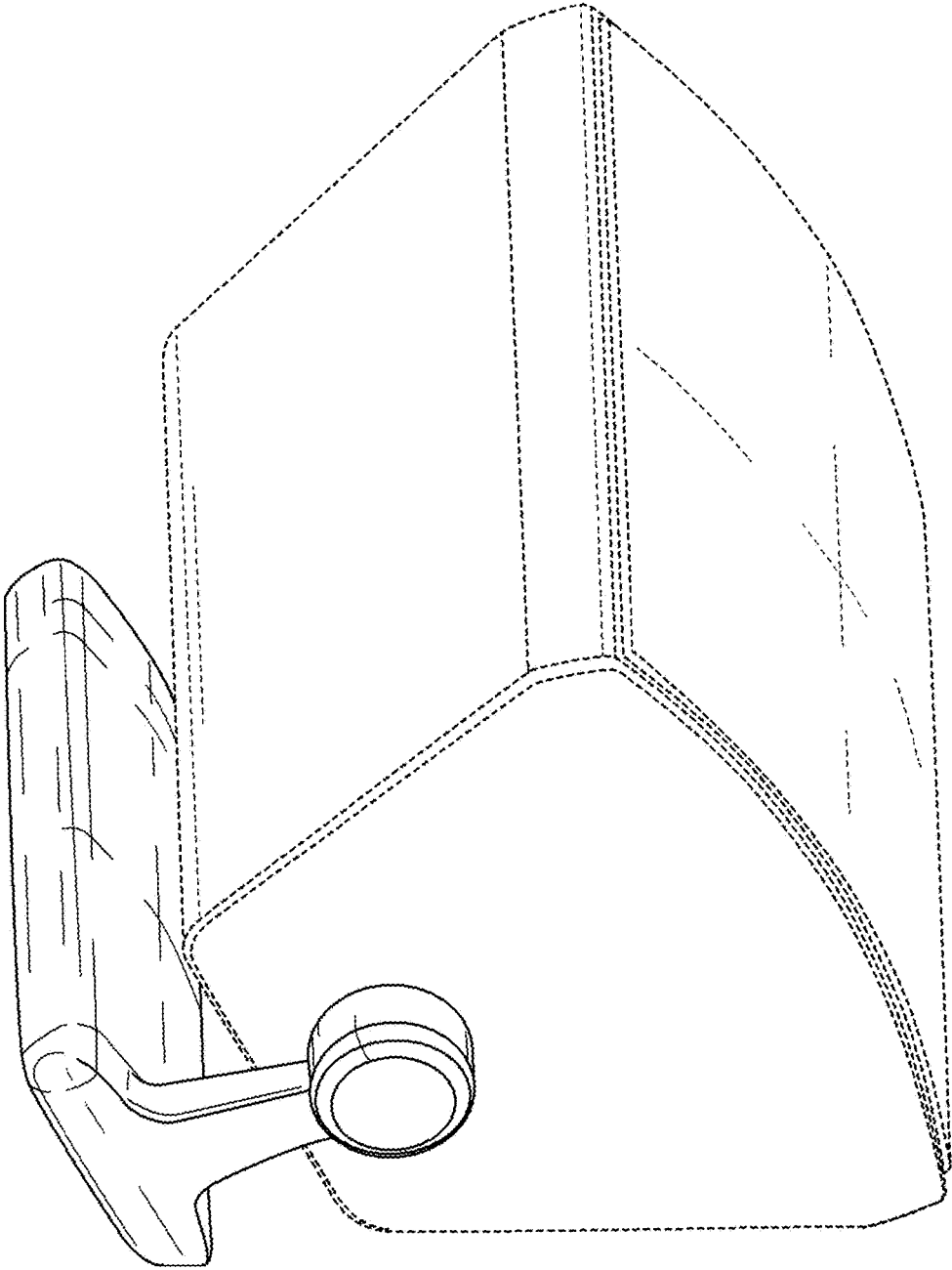


FIGURE 1

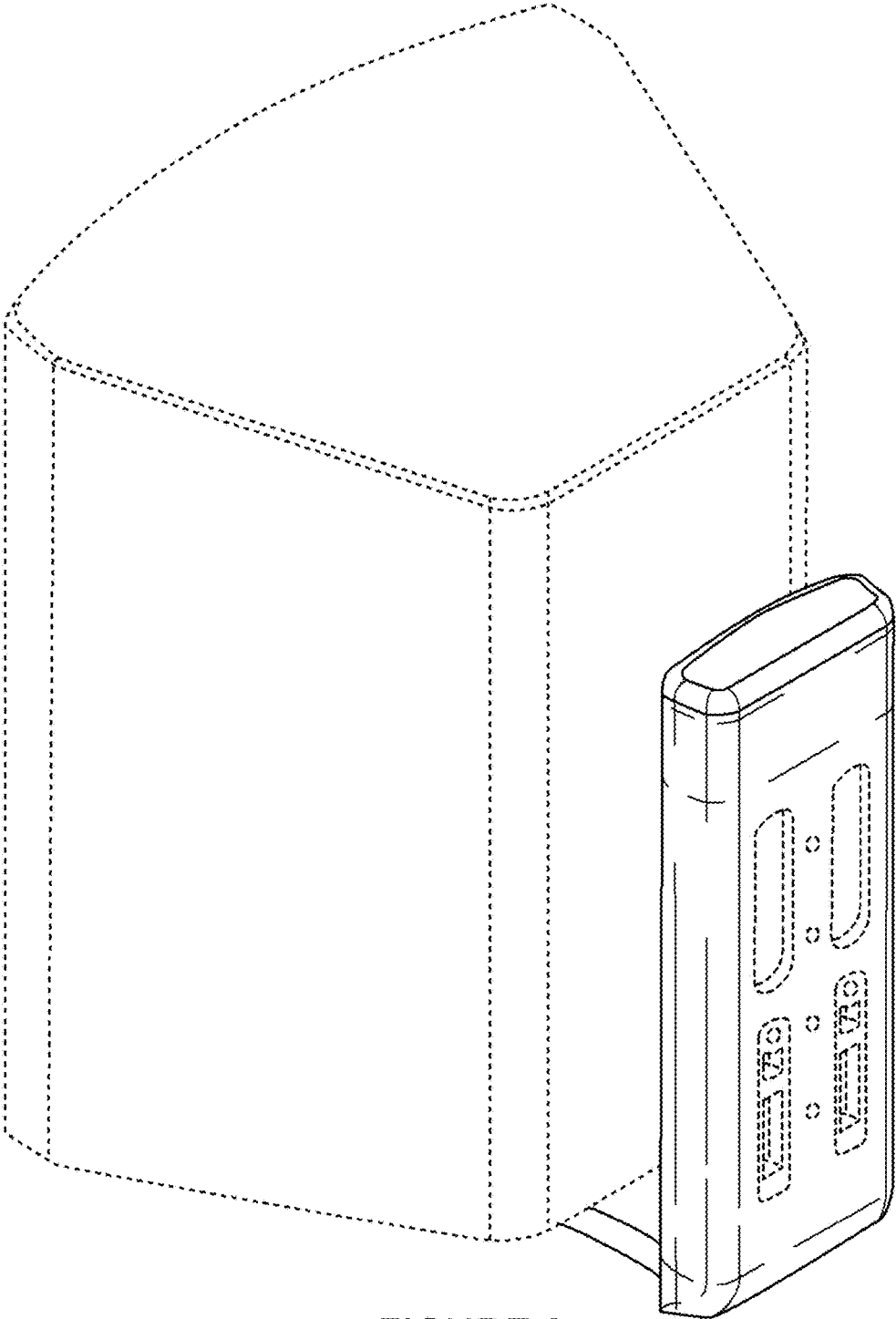


FIGURE 2

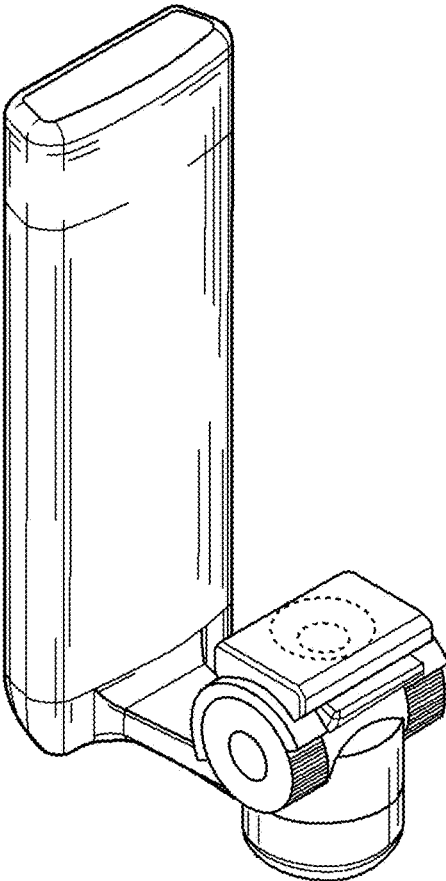


FIGURE 3

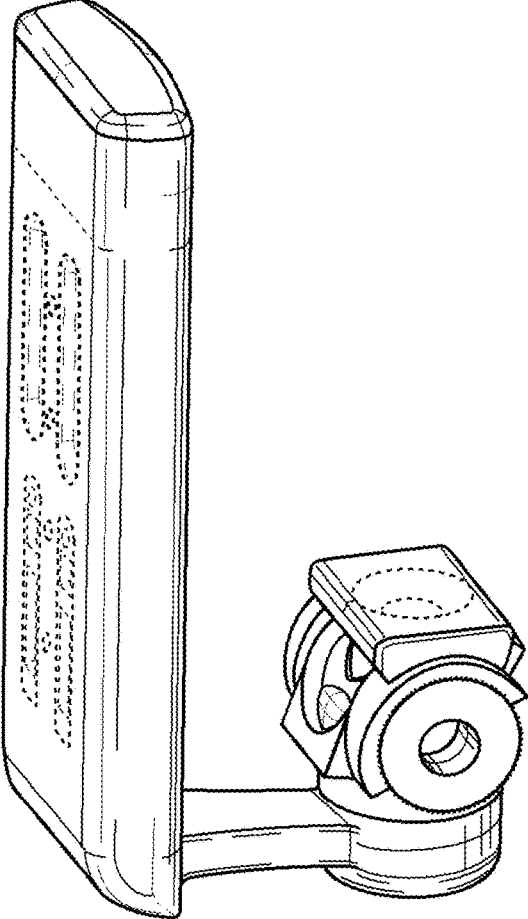


FIGURE 4

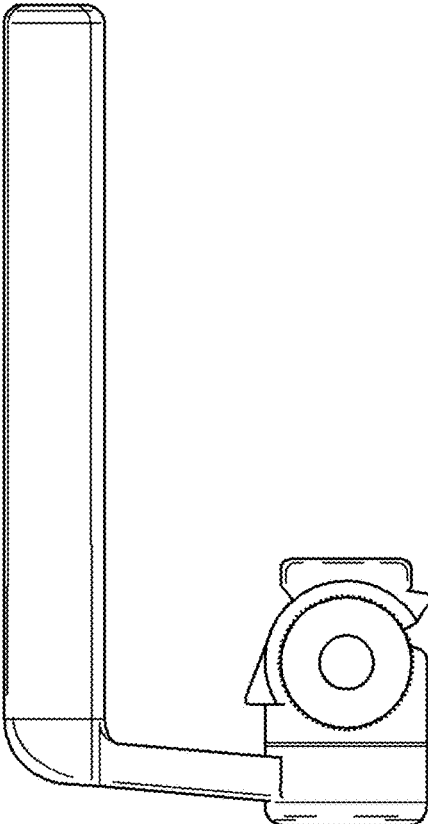


FIGURE 5

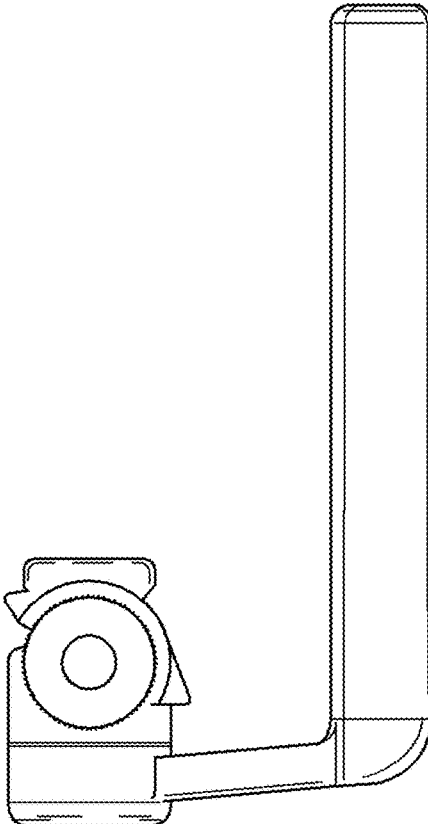


FIGURE 6

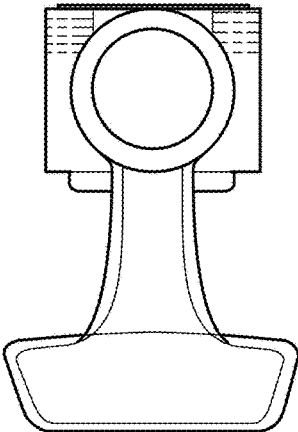


FIGURE 7

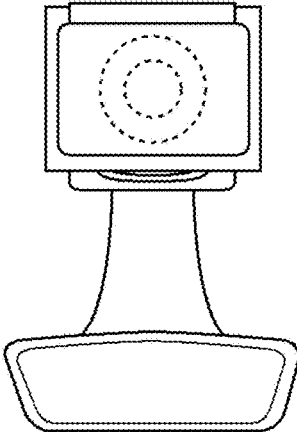


FIGURE 8

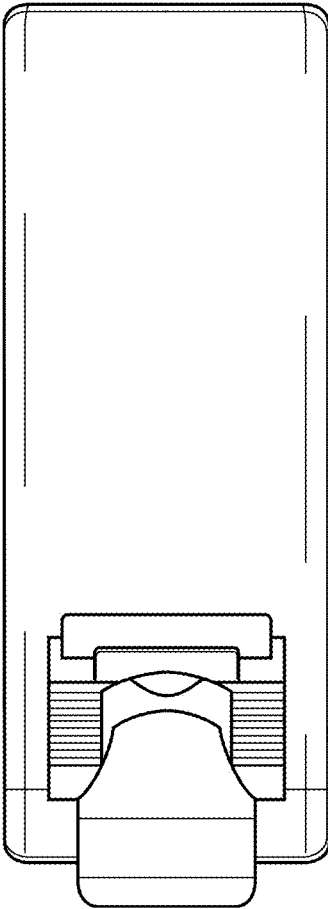


FIGURE 9

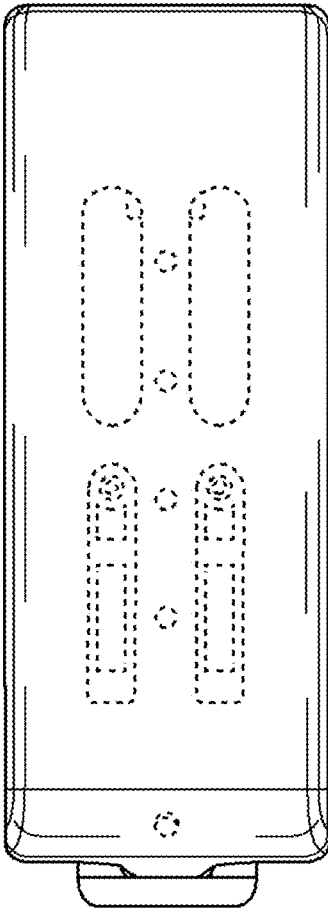


FIGURE 10

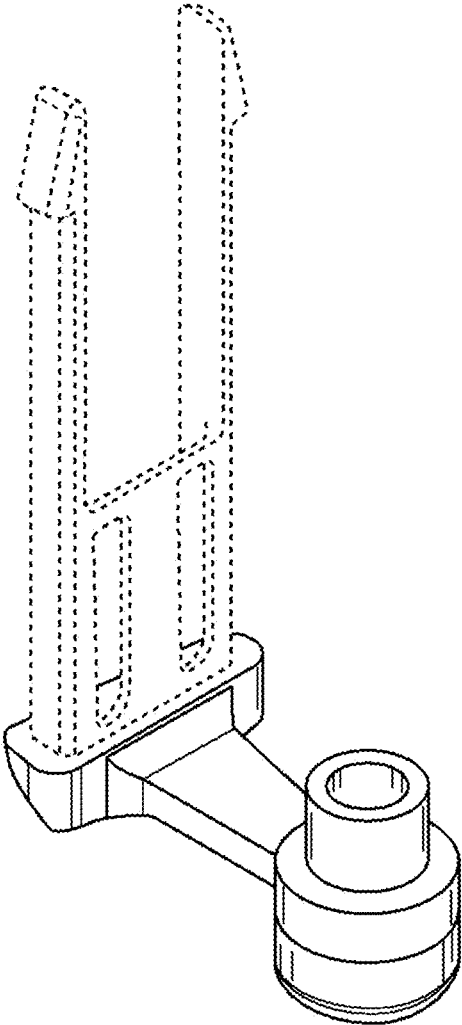


FIGURE 11